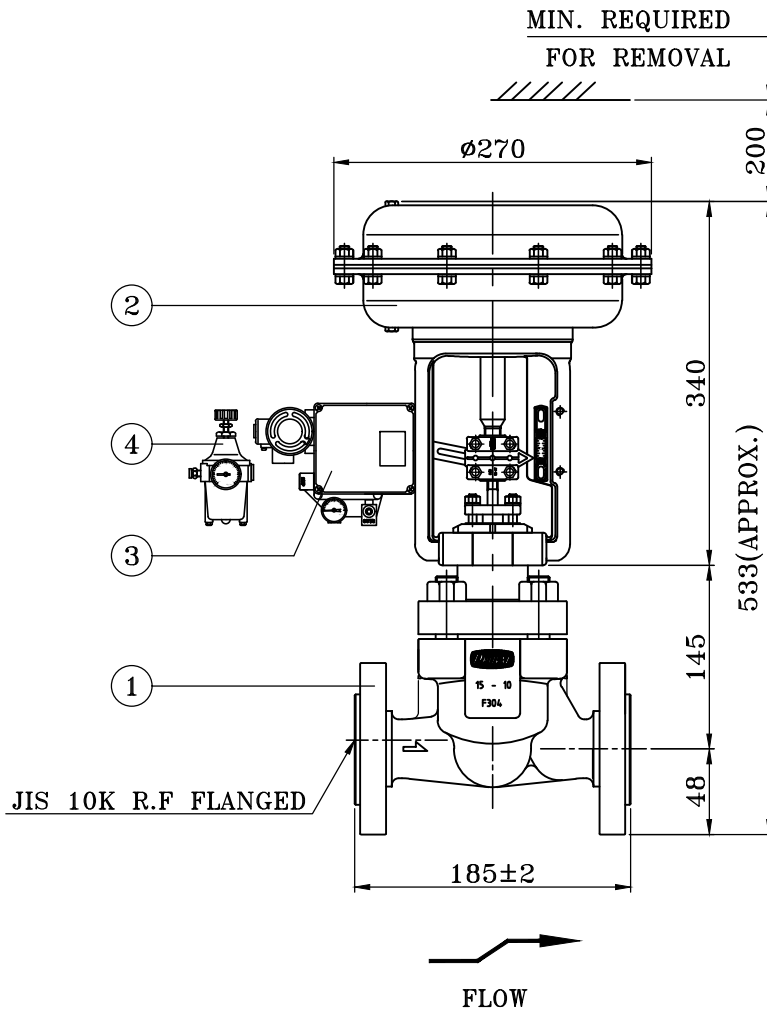




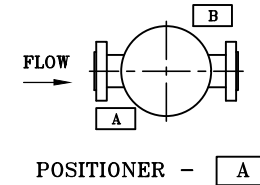
VALVE DATA SHEET

Project			
Item	Pneumatic Control 2-Way Globe Valve	Sheet No.	1 OF 1
Service		P&ID No.	
Tag. No.		MFG. No.	
Model No.	YAD-12211	Q'ty (Set)	1

SERVICE CONDITIONS	1	Medium	UREA (요소34%, 물66%)		Liquid		ACTUATOR	46	Actuator Type	Single Acting Diaphragm			
	2		Max. Q	Nor. Q	Nin. Q			47	Model No.	A-270M			
	3	Flow Rate	L/hr	200		2.5		48	Close At (bar G)	Open At (bar G)	1.4	2.8	
	4	Inlet Pressure	kgf/cm ² G	5		5		49	Fail Position (Signal / Air)	Close			
	5	Outlet Pressure	kgf/cm ² G	0		0		50	Hand-Wheel (Type / Location)	-			
	6	Differential Pressure	kgf/cm ²	5		5		51	Painting Color (RAL No.)	RAL 5019			
	7	Inlet Temperature	°C	40		40		52	Painting Type	Polyurethane			
	8	Specific Gravity	G	1.335		1.335		I / P POSITIONER	53	Input Signal (mA DC)	4 ~ 20		
	9	Density	kg/m ³						54	Output Pressure (bar G)	1.4 ~ 2.8		
	10	Molecular Weight	M.W						55	Type	Conventional		
	11	Viscosity	cPs						56	Enclosure	IP-66		
	12	Predicted SPL	dBA						57	Model No.	EP-6000		
	13	Calculated Cv		0.127		0.002			59	MFG.	Proval		
	14	Opening Lift	%	75 (M1)		9 (M4)			POSITION TRANSMITTER	59	Output (mA DC)	-	
	15									60	Type	-	
	16							61		Model No.	-		
DESIGN	17	Shut Off ΔP			kgf/cm ² G	SOLENOID VALVE	62	Power	-				
	18	Design Pressure			kgf/cm ² G		63	Type	-				
	19	Design Temp.			°C		64	Enclosure	-				
LINE	20	Inlet Pipe Size (A) / Sch. No.	15			LIMIT SWITCH	65	Model No.	-				
	21	Outlet Pipe Size (A) / Sch. No.	15				66	MFG.	-				
BODY & TRIM	22	Body Type	Globe (2-Way)			ACCESSORY	67	Quantity	-				
	23	Body Size (A) / Port Size (A)	15	M1+M4			68	Type	-				
	24	Trim Design	Guide	Quick-Change	Cage		69	Enclosure	-				
	25	Trim Type	Trim Seal Ring	Unbalanced	-		70	Model No.	-				
	26	Rating & End Connection	JIS 10K R.F Flanged				71	MFG.	-				
	27	Flange Facing	Spiral Serrated (125~250 AARH)				AIR SET	72	Air Supply Pressure (bar G)	3.6			
	28	Material	Body	A182-F304				MISCELLANEOUS	73	Model No.	AR-1501		
	29		Plug / Disc / Ball	SUS316			74		Lock-Up Valve	-			
	30		Seat	SUS316			75		Volume Booster	-			
	31		Cage	SUS316			76		Snap Acting Relay	-			
	32		Stem	SUS316			77		Check Valve	-			
	33		Packing	PTFE			78		Air-Operated Valve	-			
	34	Bonnet Type	Standard				79		Exhaust Valve	-			
	35	Trim Form	Linear				80		Speed-Controller	-			
	36	Max.Allow Sound Level (dBA)	Less than 85				81						
	37	Required Seat Tightness	ANSI CLASS V				82						
	38	Rated Cv	0.223				83						
	39	Stroke	-				84						
	40	Flow Action To	Up				85						
	41	Painting Color (RAL No.)	-				86		Conduit Connection	Air Supply	PT.F 1/4"		
	42	Painting Type	-				87			Electrical	PF.F 1/2"		
	43						88		Water Seal	-			
	44						89		Tubing Material	316 SS			
	45						90						
	NOTE												
A	2022-10-05	For Approval					S. J. K		H. S. L	S. S. H			
No.	Date	Revision					Prepared By		Checked By	Approved By			



Accessories Location (Top View)



- Tag No. : -

4	Air-Set		
3	Positioner		
2	Actuator		
1	Body	A182-F304	
No.	Name Of Parts	Material	Remark
Model No.	YAD-12211	Size	15AxM1+M4
DWG. Name		Pneumatic Control 2-Way Globe Valve	
DRAW'N	J.H Bae	APP'D	J.S Noh
Date	2022.11.08	Rev.	A
Sheet No.	1 of 1		

PROVAL PROVAL Co., Ltd.